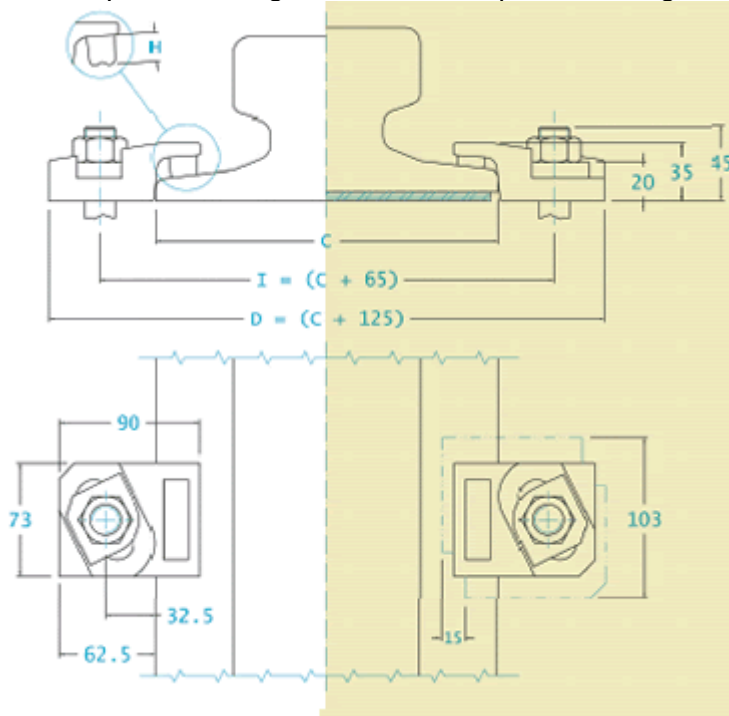


SERIES 2020 – Technical specification



Without pad mounting

With pad mounting

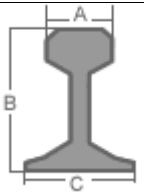


Adjustment 15 mm

Side load 75 KN

Torque tightening 320 Nm

**For screws M 20 Quality 8.8
(not included)**

	A [mm]	B [mm]	C [mm]	Without Pad	With Pad
S20	44	100	82	2020-35-8	2020-35-15
S24	53	115	90	2020-35-8	2020-35-15
25 Kg/m	50	115	90	-----	2020-35-13
S26	50	110	100	-----	2020-35-13
27 Kg/m	50	120	95	2020-35-8	2020-35-13
S33	58	134	105	2020-35-8	2020-35-15
S 49	70	149	125	2020-35-8	2020-35-15
S 54	70	154	125	2020-35-8	2020-35-15
UIC 60	74,3	172	150	2020-35-8-	2020-35-15
A45	45	55	125	-----	2020-35-13
A55	55	65	150	2020-35-8	2020-35-13
A65	65	75	175	2020-35-8	2020-35-13
A75	75	85	200	2020-35-8	2020-35-15
A100	100	95	200	2020-35-8	2020-35-15
A120	120	105	220	2020-35-13	-----
A150	150	150	220	2020-35-13	-----
CR104	63.5	127	127	2020-35-13	-----
CR135	87.3	146	131.7	2020-35-13	-----
CR171	109.2	152.4	152.4	2020-35-13	-----
CR175	102.4	152.4	152.4	2020-35-15	-----
MRS 87 A	101.6	152.4	152.4	2020-35-15	-----

DIMENSIONS [mm]	E	F	G	H	I	L	L1	L2	M	N	O	P	WEIGHT [Kg]
2020-35-8	-	-	-	17	-	-	-	-	-	-	-	-	0.758
2020-35-13	-	-	-	12	-	-	-	-	-	-	-	-	0.758
2020-35-15	-	-	-	10	-	-	-	-	-	-	-	-	0.758