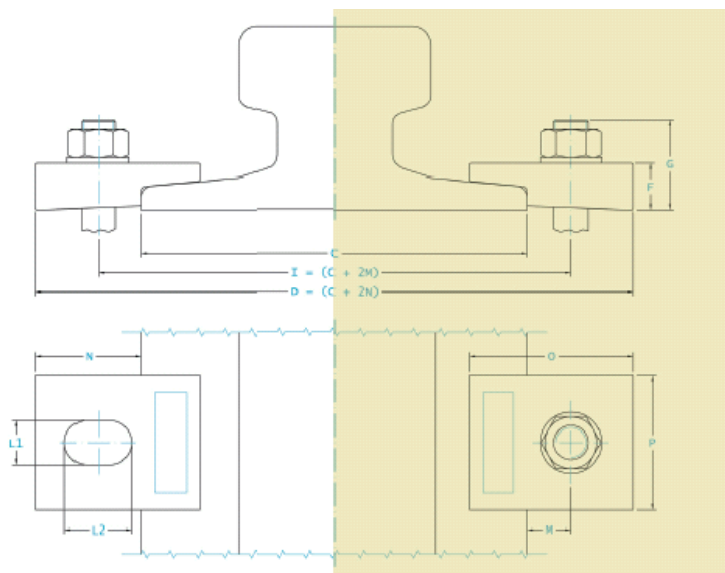


# SERIES 4018, 4021, 4023, 4025, 4028

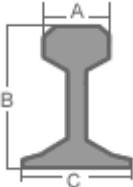
## Technical specification



Without pad mounting only



Type	Adjustment	Side load	Screw	Torque tightening
4018	6 mm	60 KN	M 18 - 8.8	220 Nm
4021	8 mm	70 KN	M 20 - 8.8	320 Nm
4023	8 mm	70 KN	M 20 - 8.8	320 Nm
4025	10 mm	70 KN	M 20 - 8.8	320 Nm
4028	-----	95 KN	M 24 - 8.8	550 Nm

	A [mm]	B [mm]	C [mm]	Without Pad	With Pad
A45	45	55	125	4018	-----
A55	55	65	150	4021	-----
A65	65	75	175	4021	-----
A75	75	85	200	4023	-----
A100	100	95	200	4025	-----
A120	120	105	220	4025	-----
CR171	63.5	127	127	4028	-----
MRS 87 A	101.6	152.4	152.4	4028	-----

DIMENSIONS [mm]	E	F	G	H	I	L	L1	L2	M	N	O	P	WEIGHT [Kg]
4018	-	18	43	-	-	-	21	30	20	45	70	60	0.395
4021	-	21	46	-	-	-	23	35	22.5	55	85	70	0.675
4023	-	23	48	-	-	-	23	35	22	52	90	70	0.78
4025	-	25	50	-	-	-	23	40	25	60	100	80	1.05
4028	-	28	53	-	-	-	27	27	18	50	70	70	1.565