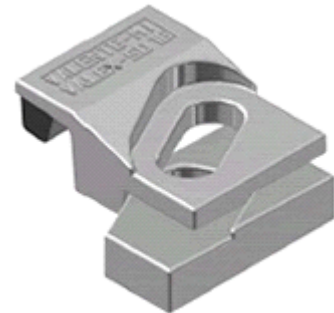
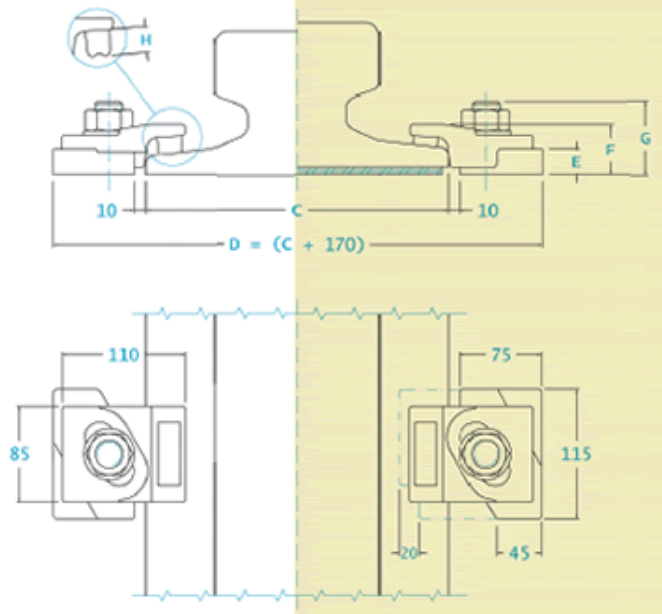


# SERIES 5024 - Technical specification



Without pad mounting

With pad mounting



**Adjustment 20 mm**  
**Side load 125 KN**  
**Torque tightening 500 Nm**

**Special Screw M 24 Quality 8.8**

	A [mm]	B [mm]	C [mm]	Without Pad	With Pad
S24	53	115	90	----	5024-42-13
25 Kg/m	50	115	90	----	5024-42-13
S26	50	110	100	----	5024-42-13
27 Kg/m	50	120	95	----	5024-42-13
AFNOR 30	56	125.5	106	----	5024-42-13
S33	58	134	105	----	5024-40-16
46 UNI	65	145	135	5024-42-13	----
50 UNI	67	148	135	5024-42-13	----
S49	68	149	125	5024-42-13	5024-40-16
UIC 54	70	159	140	5024-42-13	5024-40-16
60 UNI	72	172	150	5024-42-13	5024-42-18
A45	45	55	125	----	5024-42-13
A55	55	65	150	----	5024-42-13
A65	65	75	175	----	5024-42-13
A75	75	85	200	5024-40-11	5024-40-16
A100	100	95	200	5024-40-11	5024-42-18
A120	120	105	220	5024-42-13	5024-42-21
A150	150	150	220	5024-40-16	----
CR104	63.5	127	127	5024-40-16	5024-42-21
CR105	65	131.7	131.7	5024-40-11	5024-42-18
CR135	87.3	146	131.7	5024-40-16	5024-42-18
CR171	109.2	152.4	152.4	5024-42-18	5024-50-26
CR175	102.4	152.4	152.4	5024-40-16	5024-42-21
MRS 87 A	101.6	152.4	152.4	5024-42-18	5024-50-26
MRS 125	120	180	180	5024-42-21	5024-50-29

DIMENSIONS [mm]	E	F	G	H	I	L	L1	L2	M	N	O	P	WEIGHT [Kg]
5024-40-11	23	40	66	19	-	-	-	-	-	-	-	-	1.450
5024-42-13	25	42	68	19	-	-	-	-	-	-	-	-	1.550
5024-40-16	23	40	66	14	-	-	-	-	-	-	-	-	1.450
5024-42-18	25	42	68	14	-	-	-	-	-	-	-	-	1.550
5024-42-21	25	42	68	11	-	-	-	-	-	-	-	-	1.550
5024-50-26	33	50	76	14	-	-	-	-	-	-	-	-	2.100
5024-50-29	33	50	76	11	-	-	-	-	-	-	-	-	2.100