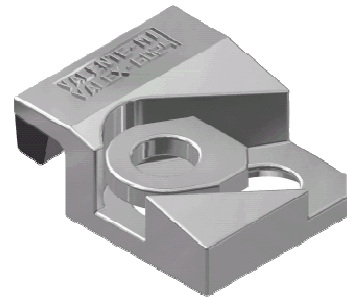
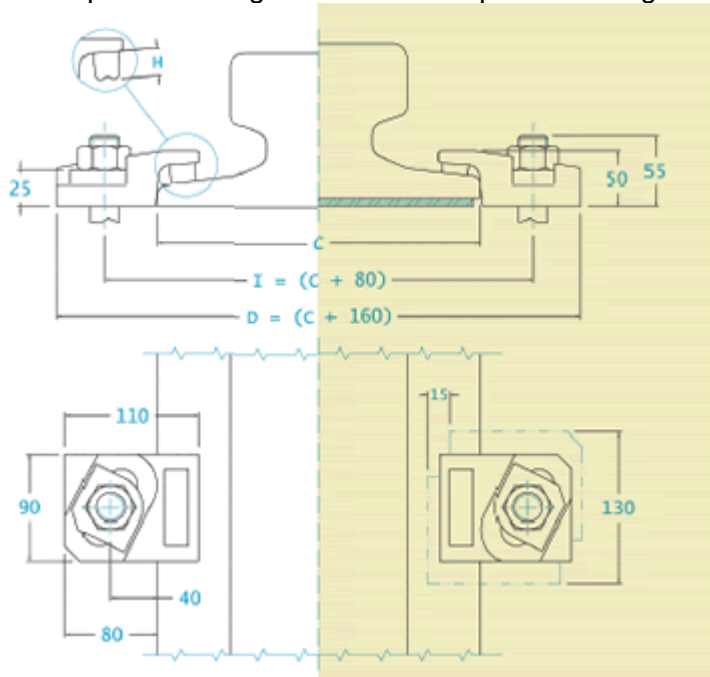


SERIES 6024 - Technical specification



Without pad mounting

With pad mounting

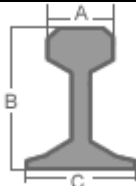


Adjustment 15 mm

Side load 125 KN

Torque tightening 550 Nm

For Screw M 24 Quality 8.8
(not included)

	A [mm]	B [mm]	C [mm]	Without Pad	With Pad
A120	120	105	220	-----	6024-50-21
CR104	63.5	127	127	-----	6024-50-21
CR135	87.3	146	131.7	-----	6024-50-21
CR175	102.4	152.4	152.4	-----	6024-50-21
MRS 125	101.6	152.4	152.4	6024-50-21	6024-50-27

DIMENSIONS [mm]	E	F	G	H	I	L	L1	L2	M	N	O	P	WEIGHT [Kg]
6024-50-21	-	-	-	18	-	-	-	-	-	-	-	-	1.450
6024-50-27	-	-	-	12	-	-	-	-	-	-	-	-	1.450