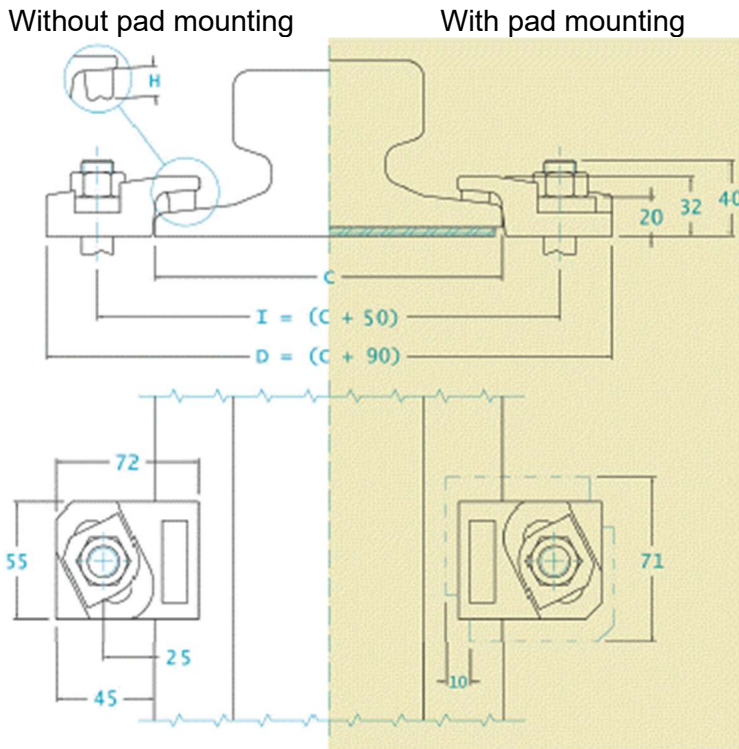


SERIES 2016 – Technical specification

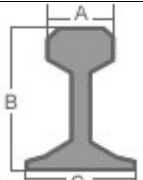


Adjustment 10 mm

Side load 35 KN

Torque tightening 175 Nm

**For screws M 16 Quality 8.8
(not included)**

	A	B	C	Without pad mounting	With pad mounting
	[mm]	[mm]	[mm]		
S14	38	80	70	2016-32-6	2016-32-13
S18	43	93	82	2016-32-6	2016-32-13
S20	44	100	82	2016-32-6	2016-32-13
S24	53	115	90	2016-32-6	2016-32-13
25 Kg/m	50	115	90	2016-32-6	2016-32-13
S26	50	110	100	2016-32-6	2016-32-13
27 Kg/m	50	120	95	2016-32-6	2016-32-13
AFNOR 30	56	125.5	106	2016-32-6	2016-32-13
A45	45	55	125	2016-32-6	2016-32-13
A55	55	65	150	2016-32-6	2016-32-13
A65	65	75	175	-----	2016-32-13
A120	120	105	220	2016-32-13	-----
CR104	63.5	127	127	2016-32-13	-----
CR135	87.3	146	131.7	2016-32-13	-----
CR175	102.4	152.4	152.4	2016-32-13	-----

DIMENSIONS [mm]	E	F	G	H	I	L	L1	L2	M	N	O	P	WEIGHT [Kg]
2016-32-6	-	-	-	16	-	-	-	-	-	-	-	-	0.387
2016-32-13	-	-	-	9	-	-	-	-	-	-	-	-	0.387